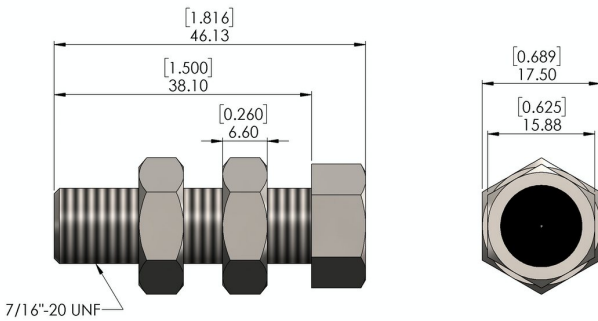
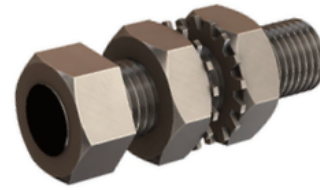


**Magnetic Actuator**

**MA-8S / MA-8N**

**For extended sensing with ES Series Proximity Switches**

The Euroswitch ES Series proximity switches use a “Hermetically Sealed Reed Element”. Reed switches are electromechanical devices that detect the position of a magnetic field; therefore, they require an external magnetic actuator to operate. Detailed below are our standard range of magnets designed to give solutions to a multitude of applications.



**MA-8S Specifications**

Max Sensing Range	12mm (0.47")	12mm (0.47")
Body Material	316L Stainless Steel	316L Stainless Steel
Dimensions	Ø /16mm x 46mm	Ø 0.62" x 1.81"
Mounting	M10x1.5 x 40mm	0.69" x 1.82"

**Magnetic Actuator Combinations**



Model	MA-8S Sensing Range	Alternative Magnets	MA-1S Sensing Range	MA-2S Sensing Range	MA-3S Sensing Range	MA-4S / MA-4N Sensing Range	MA-7S / MA-7N Sensing Range	MA-9S Sensing Range
ES-0	8.0mm (0.31")		6.0mm (0.24")	3.0mm (0.12")	18.0mm (0.71")	8.0mm (0.31")	10.0mm (0.39")	6.0mm (0.24")
ES-1	8.0mm (0.31")		6.0mm (0.24")	3.0mm (0.12")	18.0mm (0.71")	8.0mm (0.31")	10.0mm (0.39")	6.0mm (0.24")
ES-2	11.0mm (0.43")		10.0mm (0.39")	6.0mm (0.24")	26.0mm (1.02")	11.0mm (0.43")	13.0mm (0.51")	9.0mm (0.35")
ES-3	8.0mm (0.31")		8.0mm (0.31")	N/A	N/A	8.0mm (0.31")	16.0mm (0.63")	8.0mm (0.31")
ES-4	12.0mm (0.47")		12.0mm (0.47")	N/A	N/A	12.0mm (0.47")	20.0mm (0.79")	12.0mm (0.47")
ES-5 & 6	8.0mm (0.31")		8.0mm (0.31")	N/A	N/A	8.0mm (0.31")	16.0mm (0.63")	8.0mm (0.31")
ES-7 & 8	8.0mm (0.31")		8.0mm (0.31")	N/A	N/A	8.0mm (0.31")	16.0mm (0.63")	8.0mm (0.31")
ES-9 & 10	8.0mm (0.31")		8.0mm (0.31")	N/A	N/A	8.0mm (0.31")	16.0mm (0.63")	8.0mm (0.31")
ES-11 & 12	8.0mm (0.31")		8.0mm (0.31")	N/A	N/A	8.0mm (0.31")	16.0mm (0.63")	8.0mm (0.31")
ES-13 & 14	12.0mm (0.47")		12.0mm (0.47")	N/A	N/A	12.0mm (0.47")	20.0mm (0.79")	12.0mm (0.47")
ES-15 & 16	12.0mm (0.47")		12.0mm (0.47")	N/A	N/A	12.0mm (0.47")	20.0mm (0.79")	12.0mm (0.47")

For detailed information please visit, [www.euroswitch.com](http://www.euroswitch.com).

**Operating Principles**

To obtain the best results possible in your application, certain consideration should be observed.

Here are the two most typical examples of how the target would approach the ES Series Sensor.

