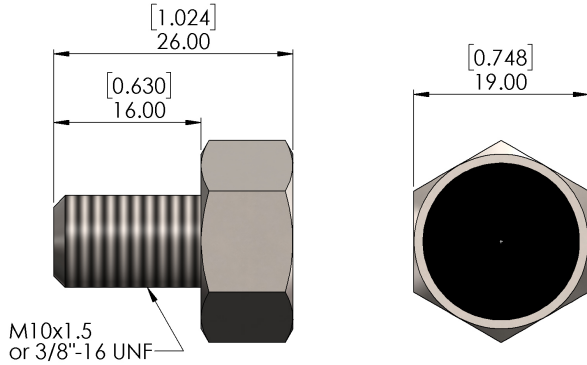
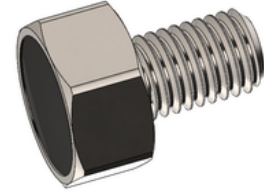


**Magnetic Actuator**

**MA-7S / MA-7N**

**For extended sensing with ES Series Proximity Switches**

The Euroswitch ES Series proximity switches use a “Hermetically Sealed Reed Element”. Reed switches are electromechanical devices that detect the position of a magnetic field; therefore, they require an external magnetic actuator to operate. Detailed below are our standard range of magnets designed to give solutions to a multitude of applications.



**MA-7S Specifications**

|                   |                      |                      |
|-------------------|----------------------|----------------------|
| Max Sensing Range | 20mm (0.79")         | 20mm (0.79")         |
| Body Material     | 316L Stainless Steel | 316L Stainless Steel |
| Dimensions        | Ø 22mm x 26mm        | Ø 0.87" x .02"       |
| Mounting          | M10x1.5 x 16mm       | 3/8"-16 x 0.63"      |

**Magnetic Actuator Combinations**



| Model      | MA-7S Sensing Range | Alternative Magnets | MA-1S Sensing Range | MA-2S Sensing Range | MA-3S Sensing Range | MA-4S / MA-4N Sensing Range | MA-8S / MA-8N Sensing Range | MA-9S Sensing Range |
|------------|---------------------|---------------------|---------------------|---------------------|---------------------|-----------------------------|-----------------------------|---------------------|
| ES-0       | 10.0mm (0.39")      |                     | 6.0mm (0.24")       | 3.0mm (0.12")       | 18.0mm (0.71")      | 8.0mm (0.31")               | 8.0mm (0.31")               | 6.0mm (0.24")       |
| ES-1       | 10.0mm (0.39")      |                     | 6.0mm (0.24")       | 3.0mm (0.12")       | 18.0mm (0.71")      | 8.0mm (0.31")               | 8.0mm (0.31")               | 6.0mm (0.24")       |
| ES-2       | 13.0mm (0.51")      |                     | 10.0mm (0.39")      | 6.0mm (0.24")       | 26.0mm (1.02")      | 11.0mm (0.43")              | 11.0mm (0.43")              | 9.0mm (0.35")       |
| ES-3       | 16.0mm (0.63")      |                     | 8.0mm (0.31")       | N/A                 | N/A                 | 8.0mm (0.31")               | 8.0mm (0.31")               | 8.0mm (0.31")       |
| ES-4       | 20.0mm (0.79")      |                     | 12.0mm (0.47")      | N/A                 | N/A                 | 12.0mm (0.47")              | 12.0mm (0.47")              | 12.0mm (0.47")      |
| ES-5 & 6   | 16.0mm (0.63")      |                     | 8.0mm (0.31")       | N/A                 | N/A                 | 8.0mm (0.31")               | 8.0mm (0.31")               | 8.0mm (0.31")       |
| ES-7 & 8   | 16.0mm (0.63")      |                     | 8.0mm (0.31")       | N/A                 | N/A                 | 8.0mm (0.31")               | 8.0mm (0.31")               | 8.0mm (0.31")       |
| ES-9 & 10  | 16.0mm (0.63")      |                     | 8.0mm (0.31")       | N/A                 | N/A                 | 8.0mm (0.31")               | 8.0mm (0.31")               | 8.0mm (0.31")       |
| ES-11 & 12 | 16.0mm (0.63")      |                     | 8.0mm (0.31")       | N/A                 | N/A                 | 8.0mm (0.31")               | 8.0mm (0.31")               | 8.0mm (0.31")       |
| ES-13 & 14 | 20.0mm (0.79")      |                     | 12.0mm (0.47")      | N/A                 | N/A                 | 12.0mm (0.47")              | 12.0mm (0.47")              | 12.0mm (0.47")      |
| ES-15 & 16 | 20.0mm (0.79")      |                     | 12.0mm (0.47")      | N/A                 | N/A                 | 12.0mm (0.47")              | 12.0mm (0.47")              | 12.0mm (0.47")      |

For detailed information please visit, [www.euroswitch.com](http://www.euroswitch.com).

**Operating Principles**

To obtain the best results possible in your application, certain consideration should be observed.

Here are the two most typical examples of how the target would approach the ES Series Sensor.

