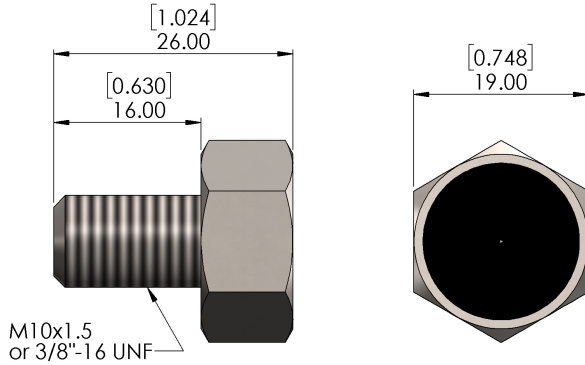
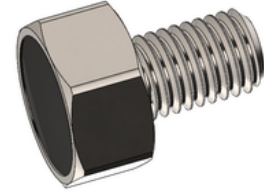


Magnetic Actuator

MA-7S / MA-7N

For extended sensing with FS Series Proximity Switches

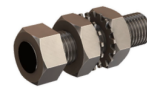
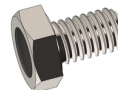
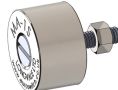
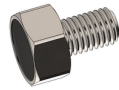
The Euroswitch FS Series proximity switch contains their own inexhaustible power source, utilising an array of permanent magnets to control a set of multi-voltage contacts. The FS Series sensor can sense carbon steel or 400 series stainless steel at up to 2.5mm 0.1" as standard. Detailed below are our standard range of magnets designed to give solutions to a multitude of applications.



MA-7S Specifications

Max Sensing Range	12mm (0.47")	12mm (0.47")
Body Material	316L Stainless Steel	316L Stainless Steel
Dimensions	Ø 22mm x 26mm	Ø 0.87" x .02"
Mounting	M10x1.5 x 16mm	3/8"-16 x 0.63"

Magnetic Actuator Combinations



Model	Ferrous Sensing Range	MA-7S Sensing Range	Alternative Magnets	MA-1S Sensing Range	MA-4S / MA-4N Sensing Range	MA-8S / MA-8N Sensing Range	MA-9S Sensing Range
FS-A	2.5mm (0.10")	12.0mm (0.47")		4.0mm (0.16")	8.0mm (0.31")	8.0mm (0.31")	6.0mm (0.24")
FS-B & C	2.5mm (0.10")	12.0mm (0.47")		4.0mm (0.16")	8.0mm (0.31")	8.0mm (0.31")	6.0mm (0.24")
FS-B-D & C-D	2.3mm (0.09")	11.5mm (0.45")		3.5mm (0.14")	7.5mm (0.29")	7.5mm (0.29")	5.5mm (0.22")
FS-D & E	2.5mm (0.10")	12.0mm (0.47")		4.0mm (0.16")	8.0mm (0.31")	8.0mm (0.31")	6.0mm (0.24")
FS-F	2.5mm (0.10")	12.0mm (0.47")		4.0mm (0.16")	8.0mm (0.31")	8.0mm (0.31")	6.0mm (0.24")
FS-H & I	2.5mm (0.10")	12.0mm (0.47")		4.0mm (0.16")	8.0mm (0.31")	8.0mm (0.31")	6.0mm (0.24")
FS-J & K	2.5mm (0.10")	12.0mm (0.47")		4.0mm (0.16")	8.0mm (0.31")	8.0mm (0.31")	6.0mm (0.24")
FS-J-D & K-D	2.3mm (0.09")	11.5mm (0.45")		3.5mm (0.14")	7.5mm (0.29")	7.5mm (0.29")	5.5mm (0.22")
FS-N & O	1.0mm (0.04")	10.5mm (0.41")		2.5mm (0.10")	6.5mm (0.26")	6.5mm (0.26")	5.0mm (0.20")
FS-P & Q	1.0mm (0.04")	10.5mm (0.41")	2.5mm (0.10")	6.5mm (0.26")	6.5mm (0.26")	5.0mm (0.20")	
FS-CYL-B & CYL-C	2.3mm (0.09")	11.5mm (0.45")	3.5mm (0.14")	7.5mm (0.29")	7.5mm (0.29")	6.0mm (0.24")	

For detailed information please visit, www.euroswitch.com.

Operating Principles

To obtain the best results possible in your application, certain consideration should be observed.

Here are the two most typical examples of how the target would approach the FS Series Sensor.

