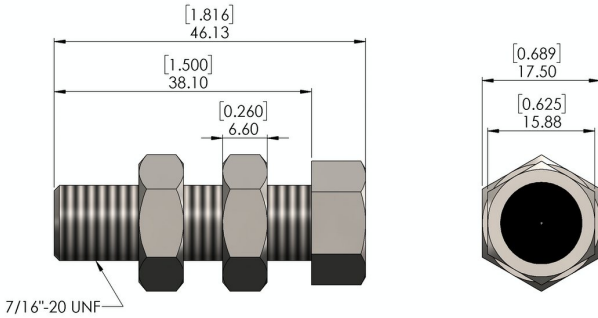
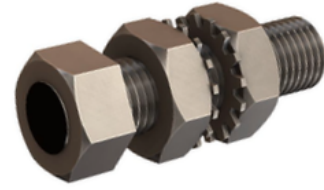


Magnetic Actuator

MA-8S / MA-8N

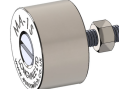
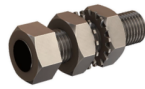
For extended sensing with FS Series Proximity Switches

The Euroswitch FS Series proximity switch contains their own inexhaustible power source, utilising an array of permanent magnets to control a set of multi-voltage contacts. The FS Series sensor can sense carbon steel or 400 series stainless steel at up to 2.5mm 0.1" as standard. Detailed below are our standard range of magnets designed to give solutions to a multitude of applications.



| | MA-8S | MA-8N |
|---------------|----------------------|----------------------|
| Body Material | 316L Stainless Steel | 316L Stainless Steel |
| Dimensions | Ø /16mm x 46mm | Ø 0.62" x 1.81" |
| Thread | M10x1.5 x 40mm | 0.69" x 1.82" |

Magnetic Actuator Combinations



| Switch Model | Ferrous Sensing Range | MA-8S Sensing Range | Alternative Magnets | MA-1S Sensing Range | MA-4S / MA-4SN Sensing Range | MA-7S / MA-7SN Sensing Range | MA-9S Sensing Range |
|--------------|-----------------------|---------------------|---------------------|---------------------|------------------------------|------------------------------|---------------------|
| FS-A | 2.5mm (0.10") | 8.0mm (0.31") | | 4.0mm (0.16") | 8.0mm (0.31") | 12.0mm (0.47") | 6.0mm (0.24") |
| FS-B & C | 2.5mm (0.10") | 8.0mm (0.31") | | 4.0mm (0.16") | 8.0mm (0.31") | 12.0mm (0.47") | 6.0mm (0.24") |
| FS-B-D & C-D | 2.3mm (0.09") | 7.5mm (0.29") | | 3.5mm (0.14") | 7.5mm (0.29") | 11.5mm (0.45") | 5.5mm (0.22") |
| FS-D & E | 2.5mm (0.10") | 8.0mm (0.31") | | 4.0mm (0.16") | 8.0mm (0.31") | 12.0mm (0.47") | 6.0mm (0.24") |
| FS-F | 2.5mm (0.10") | 8.0mm (0.31") | | 4.0mm (0.16") | 8.0mm (0.31") | 12.0mm (0.47") | 6.0mm (0.24") |
| FS-H & I | 2.5mm (0.10") | 8.0mm (0.31") | | 4.0mm (0.16") | 8.0mm (0.31") | 12.0mm (0.47") | 6.0mm (0.24") |
| FS-J & K | 2.5mm (0.10") | 8.0mm (0.31") | | 4.0mm (0.16") | 8.0mm (0.31") | 12.0mm (0.47") | 6.0mm (0.24") |
| FS-J-D & K-D | 2.3mm (0.09") | 7.5mm (0.29") | | 3.5mm (0.14") | 7.5mm (0.29") | 11.5mm (0.45") | 5.5mm (0.22") |
| FS-N & O | 1.0mm (0.04") | 6.5mm (0.26") | | 2.5mm (0.10") | 6.5mm (0.26") | 10.5mm (0.41") | 5.0mm (0.20") |
| FS-P & Q | 1.0mm (0.04") | 6.5mm (0.26") | | 2.5mm (0.10") | 6.5mm (0.26") | 10.5mm (0.41") | 5.0mm (0.20") |
| FS-CYL-B | 2.3mm (0.09") | 7.5mm (0.29") | | 3.5mm (0.14") | 7.5mm (0.29") | 11.5mm (0.45") | 6.0mm (0.24") |

For detailed information please visit, www.euroswitch.com.

Operating Principles

To obtain the best results possible in your application, certain consideration should be observed.

Here are the two most typical examples of how the target would approach the FS Series Sensor.

