

Micro Junction Box - Stainless Steel

Model: JB-100 Series (M20 Entries)

JB-100 Series - ATEX/IECEX/TR CU/EAC/KCs Ex d IIC/IIIC T6/T5/T4

The EuroSwitch Ø75mm Junction box is an extremely compact heavy duty terminal box that can be used in multiple applications across a wide variety of industries and it has a number of entry and terminal options available.

The enclosure is machined from billet 316L stainless steel and contains 6 x 2.5mm² terminals. It is configurable with up to 4 off M20 x 1.5mm entries.

The Euroswitch micro enclosure is ideal for terminating hazardous area insstrumentation and can be used as a terminal head to maintain certification compliance as a field wireable solution.

The maximum operating temperature is -60°C to +120°C. It is supplied with flush mounted brackets.



Properties

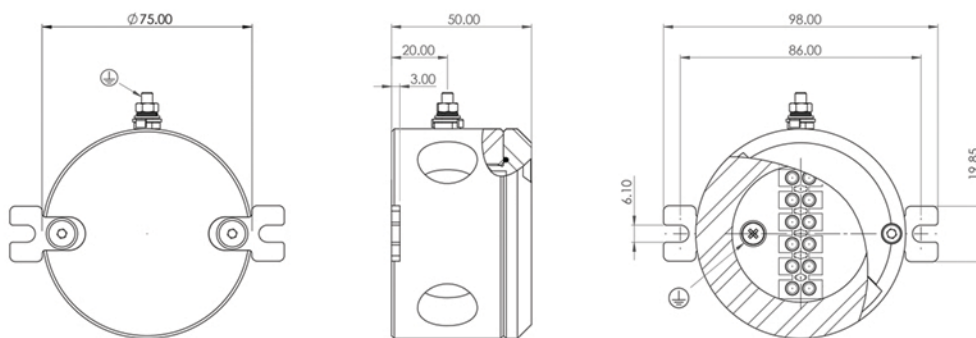
Body Shape	Circular
Body Material	316L Stainless Steel
Max Current	5A
Connection Environmental	2 - 4 x M20x1.5 Entries
Terminals	6 x 2.5mm ²
Protection Operating	IP 66/67
Temperature	-60°C to +120°C
Temperature Class (T Rating)	T6, T5, T4
Certification	ATEX/IECEX/TR CU/EAC/KCs Ex d
Gas Group	IIC / IIIC (Can also be used in IIA and IIB)

Certification Options

JB-112-C**	= General Industrial
JB-132-C**	= ATEX/IECEX Ex d
JB-132-C**(TRCU)	= EAC/TR CU Ex d
JB-132-C**(KCS)	= KCs (Korea) Ex d

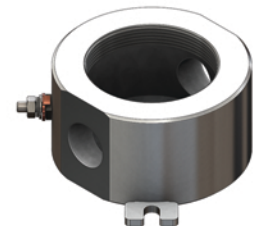
** Denotes Entry Options.
Complete your part number by selecting from the entry options below.

Dimensions

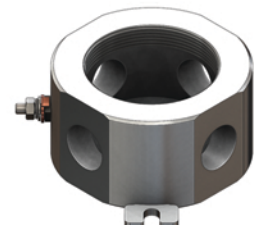


Entry Options

JB-1*2-C = 2 x M20x1.5 Entries (Standard)



JB-1*2-CXY = 4 x M20x1.5 Entries



Version with 3x Entries (CX) is available to special order

Certification and Approvals

Certification	Compliance	Certificate No.
ATEX Ex d IIC/IIIC T6 Gb	EN 60079-0: 2011 EN 60079-1: 2007 EN 60079-31: 2009	Baseefa14ATEX0120X
IECEX Ex d IIC/IIIC T6 Gb	IEC 60079-0: 2011 IEC 60079-1: 2007 IEC 60079-31: 2008	IECEX BAS 14.0059X
TR CU Ex d IIC/IIIC T4/T6	60079-0-2011 60079-1-2011 60079-31-2010	TC RU C-GB.MIO62.B.01525
KCs Ex d IIC/IIIC T4/T6	Announcement No. 2016-54 Ministry of Employment and Labor	16-KA4BO-0031