

Valve Position Indication

Model: M-VIP-PNP

This Valve Position Switch comes complete with target puck and is designed to fit 1/4 turn namur actuators of all sizes. The housing is made from PBT Engineered resin and contains 2 x Normally Open (SPST) Contacts with a maximum switching capacity of 1.6A at 24V DC.

The M-VIP contains bi-colour LEDs for a secondary visual indicator to show when the actuator is in the open (green) and closed (red) position.



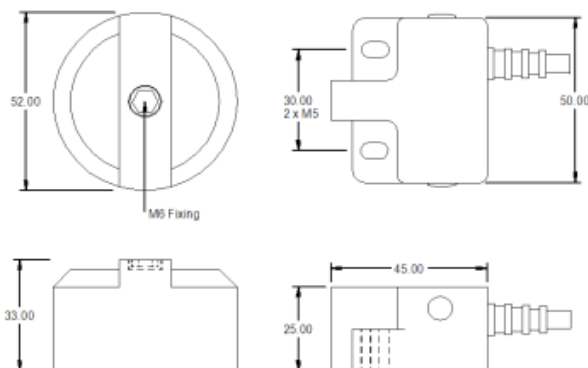
Properties

Body Material	Engineered Resin
Connection Type	PVC Cable - 4 Core (Supplied with 2 metres)
Contacts	2 x Normally Open/SPST
Contact Material	Rhodium (Tungsten Optional)
Dimensions	50 x 45 x 25mm
Visual Indicator	Rotating Puck, Bi-Colour LED's for Open/Closed Indication
Environmental Protection	IP 66, 67, 68
Operating Temperature	-20°C to +80°C

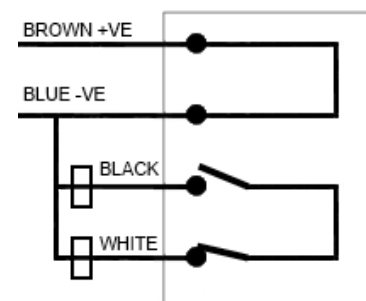
Ratings

Supply Voltage	Maximum Switching Current	Maximum Voltage	Maximum Switching Power
10-30 VDC	1.6A	30 VDC	40W VA

Dimensions



Connections



Certifications and Approvals

Certification	Compliance	Certificate No.
Simple Apparatus	n/a	n/a